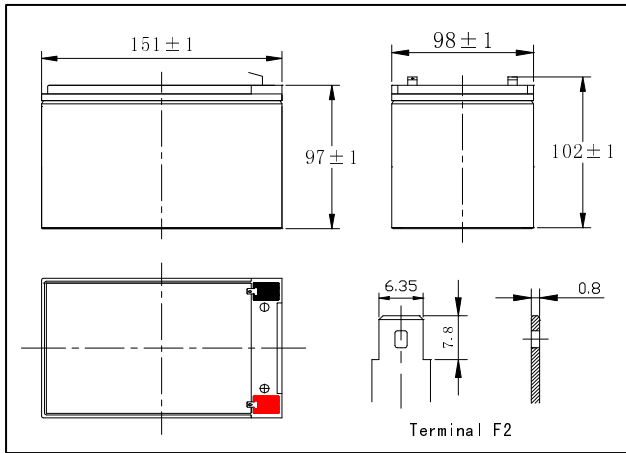
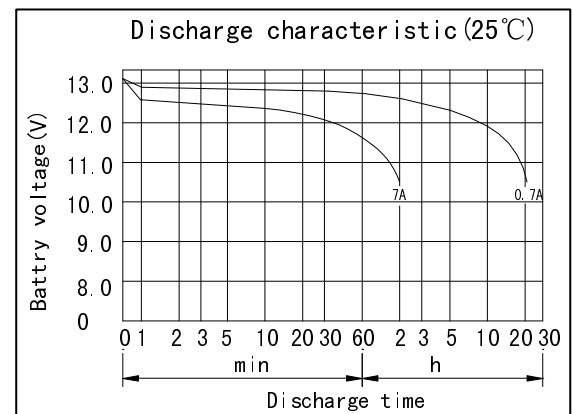


Battery Dimensions



SPECIFICATION

Nominal voltage		12V
Rated capacity (2 hour rate)		14Ah
Number of cell		6
Approx. Weight (Kg)		4.4
Dimensions	Total Height	4.02inches(102mm)
	Height	3.82inches(97mm)
	Length	5.94inches(151mm)
	Width	3.86inches(98mm)



Characteristics

Capacity 77° F (25°C)	20 hour rate (0.7A、10.5V)	16Ah
	2 hour rate (7A、10.5V)	14Ah
Internal Resistance	Full charged Battery 77° F (25°C) : 14m Ω	
Operating Temperature Range	Discharge: -20~60°C	
	Charge: -10~60°C	
	Storage: -20~60°C	
Self-Discharge 3% of capacity declined per month at 20°C(average)		
Max. discharge current 77° F (25°C) : 140A(5S)		
Charge (Constant Voltage)	Float: 13.6~13.8 V/77° F(25°C)	
	Cycle: 14.5~14.9 V/77° F(25°C) Max. Current: 3.5A	

