

## General Features

- Positive and negative plates in lead-calcium tin alloy.
- Superior energy density
- Operates at a low internal pressure.
- Gas Recombination.
- Usable in any orientation.
- A recognized component of UL.
- Very high power output.
- Application specific designs.
- Six months shelf life at 20°C.
- Design life 5 years.

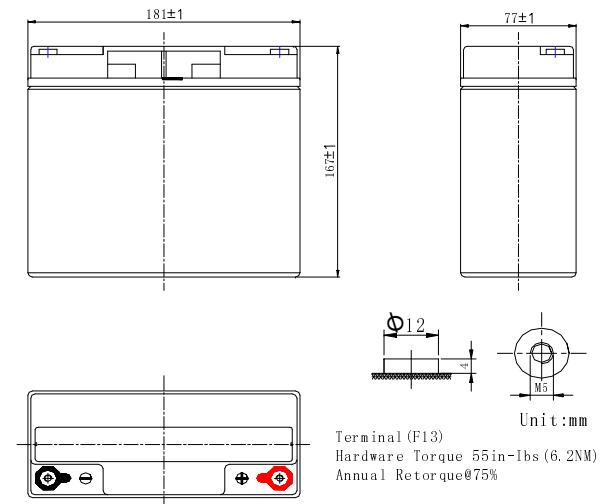


## Dimensions

	Length	Width	Height	Total Height	Approx. Weight
<i>SI Units</i>	181mm	77mm	167mm	167mm	5.80Kg
<i>English Units</i>	7.13inch	3.03inch	6.57inch	6.57inch	12.8lbs

## Performance Characteristics

- Nominal Voltage: 12V
- Number of cell: 6
- Nominal Capacity 77° F(25°C): 15 min Wattage @1.67V 80W/cell
- Nominal Capacity 77° F(25°C): 20 hour rate (0.11A , 10.5V) 22Ah
- Internal Resistance: Fully Charged battery 68° F(20°C) 11.2mΩ
- Self-Discharge: 3% of capacity declined per month at 20°C
- Operating Temperature Range: Discharge -20~60°C Charge -10~60°C Storage -20~60°C
- Max. Discharge Current 68° F(20°C): 220A (5S)
- Short Circuit Current: 1300A
- Charge Methods: Constant Voltage Charge 68° F(20°C)
  - Cycle use: 14.5 ~ 14.9V Maximum charging current 5.5 A
  - Standby use: 13.6 ~ 13.8V





# UNH12-80W

Rechargeable Products Sealed Lead Acid Battery

## Discharge Date

### Constant Current Discharge Date(Amperes at 25°C)

End Voltage Per cell/V	5min	10min	15min	20min	25min	30min	35min	40min	45min	50min	60min	90min
1.60	90.1	60.7	44.7	34.7	28.7	24.8	21.9	19.7	18.1	16.5	14.0	9.3
1.67	85.1	57.2	42.3	32.8	27.3	23.4	20.9	18.7	17.2	15.8	13.4	8.9
1.70	79.8	53.9	39.8	31.0	26.1	22.2	19.8	17.8	16.4	14.9	12.8	8.7
1.75	74.5	50.7	37.9	29.5	24.2	20.9	18.5	16.8	15.5	14.2	12.1	8.5
1.80	71.2	48.8	36.5	28.5	23.6	20.4	18.2	16.5	15.1	13.8	11.9	8.2

### Constant Power Discharge Date(Watts per cell at 25°C)

End Voltage Per cell/V	5min	10min	15min	20min	25min	30min	35min	40min	45min	50min	60min	90min
1.60	164	109	82.4	64.0	53.8	46.9	40.9	36.5	33.5	30.7	26.8	18.0
1.67	157	105	80.0	62.5	51.9	45.4	40.0	35.7	32.9	29.8	25.3	17.6
1.70	152	101	78.1	60.1	50.6	43.7	38.5	34.4	31.8	28.8	24.9	17.3
1.75	142	96.4	75.9	57.5	48.6	42.2	37.4	33.5	30.9	27.9	24.4	16.9
1.80	136	92.3	71.1	55.4	46.9	40.9	35.7	32.4	29.8	27.5	23.8	16.5

