

General Features

- Positive and negative plates in lead-calcium tin alloy.
- Superior energy density
- Operates at a low internal pressure.
- Gas Recombination.
- Usable in any orientation.
- A recognized component of UL.
- Very high power output.
- Application specific designs.
- Six months shelf life at 20°C.
- Design life 5 years.

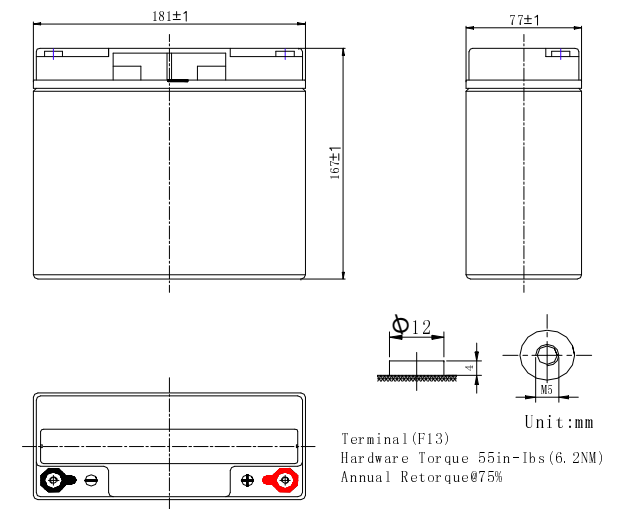


Dimensions

	Length	Width	Height	Total Height	Approx. Weight
<i>SI Units</i>	181mm	77mm	167mm	167mm	6.3Kg
<i>English Units</i>	7.13inch	3.03inch	6.57inch	6.57inch	13.9lbs

Performance Characteristics

- Nominal Voltage: 12V
- Number of cell: 6
- Nominal Capacity 68° F(25°C): 15 min Wattage @1.67V 92W/cell
- Nominal Capacity 77° F(25°C): 20 hour rate (1.075A , 10.5V) 21.5Ah
- Internal Resistance: Fully Charged battery 68° F(20°C) 9.0mΩ
- Self-Discharge: 3% of capacity declined per month at 20°C
- Operating Temperature Range: Discharge -20~60°C Charge -10~60°C Storage -20~60°C
- Max. Discharge Current 68° F(20°C): 220A (5S)
- Short Circuit Current: 700A
- Charge Methods: Constant Voltage Charge 68° F(20°C)
 - Cycle use: 14.5 ~ 14.9V Maximum charging current 5.5A
 - Standby use: 13.6 ~ 13.8V





UNH12-92W

Rechargeable Products Sealed Lead Acid Battery

Discharge Date

Constant Current Discharge Date(Amperes at 25°C)																							
End Voltage Per cell/V	10min	15min	20min	25min	30min	35min	40min	45min	50min	55min	1h	1.5h	2h	2.5h	3h	4h	5h	6h	7h	8h	9h	10h	20h
1.60	66.9	56.1	44.3	37.2	30.7	27.5	24.8	22.7	20.5	18.9	17.4	12.5	9.79	7.88	6.58	4.95	3.97	3.32	2.85	2.50	2.25	2.14	1.095
1.65	65.6	53.4	42.0	35.2	29.2	25.9	23.4	21.6	19.6	17.9	16.7	11.7	9.38	7.75	6.49	4.88	3.91	3.27	2.81	2.46	2.20	2.10	1.089
1.70	63.1	50.2	39.6	33.1	27.6	24.6	22.3	20.5	18.6	17.2	15.9	11.2	8.90	7.43	6.34	4.76	3.81	3.18	2.73	2.40	2.15	2.05	1.083
1.75	61.2	48.4	37.2	30.9	26.5	23.5	21.0	19.6	17.5	16.2	15.2	10.9	8.43	7.08	6.20	4.66	3.75	3.13	2.69	2.36	2.10	2.00	1.075
1.80	58.1	43.7	34.8	28.9	25.6	22.7	20.5	18.9	17.3	15.9	14.8	10.5	7.90	6.73	5.78	4.48	3.65	3.05	2.62	2.30	2.05	1.93	1.069

Constant Power Discharge Date(Watts per cell at 25°C)																							
End Voltage Per cell/V	10min	15min	20min	25min	30min	35min	40min	45min	50min	55min	1h	1.5h	2h	2.5h	3h	4h	5h	6h	7h	8h	9h	10h	12h
1.60	126	95.5	76.4	64.5	54.8	50.6	45.9	41.1	37.2	35.8	31.8	22.8	18.1	15.0	13.3	9.98	8.23	6.93	5.73	5.07	4.57	4.11	3.49
1.65	123	93.7	74.5	61.6	53.2	49.5	44.2	40.3	36.8	34.6	31.5	22.5	17.8	14.5	12.8	9.61	8.06	6.80	5.62	5.00	4.49	4.07	3.44
1.67	121	92.0	73.2	59.9	52.7	48.2	43.5	39.4	36.1	34.2	31.0	22.2	17.5	13.6	12.5	9.43	7.88	6.71	5.57	4.94	4.45	4.04	3.41
1.70	119	90.2	71.5	59.2	51.5	47.5	42.1	38.3	35.2	33.3	30.5	21.9	17.2	12.9	12.2	9.19	7.70	6.57	5.49	4.88	4.41	4.01	3.39
1.75	117	86.8	69.5	58.1	50.1	46.5	39.8	36.4	33.7	32.0	29.8	21.7	16.6	12.2	11.6	8.84	7.34	6.33	5.37	4.83	4.38	3.98	3.35
1.80	112	82.6	63.9	56.2	49.1	44.8	37.6	34.4	32.0	30.6	29.3	21.1	16.1	11.5	11.1	8.36	6.93	6.03	5.19	4.75	4.31	3.96	3.28

